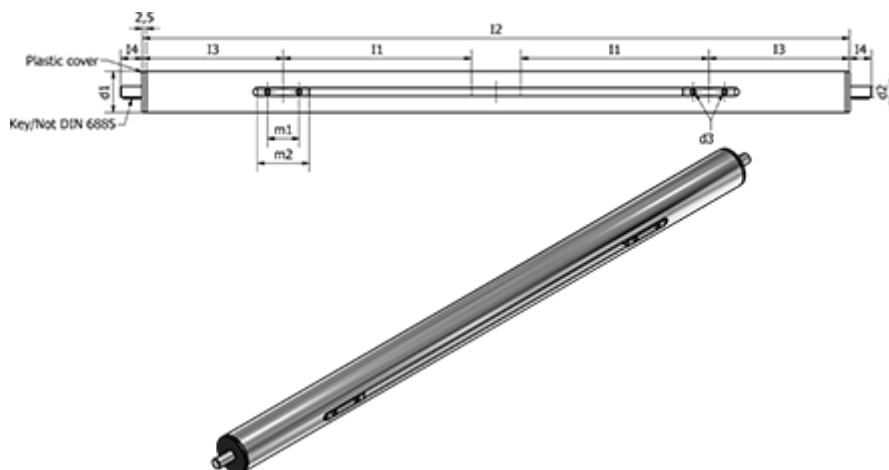


Article number: 2029340170RR2SCR

Description: E+G Linear actuators - GN 293-40-170-RR2-SCR

Measures



d1	= 40	m2	= 54
d2 f7	= 12	Max. travel	= 753
d3	= M5	Shaft key DIN 6885	= A4x4x12
l1	= 170	Shaft thread	= TR20x4
l2	= 2x11+299		
l3	= 117.5		
l4	= 17		
m1	= 42		